

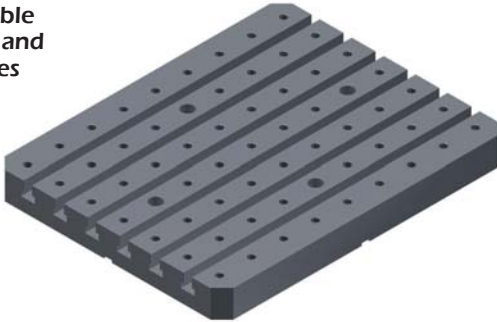
## Machine Tables

### Universal Machine Table for all Machines

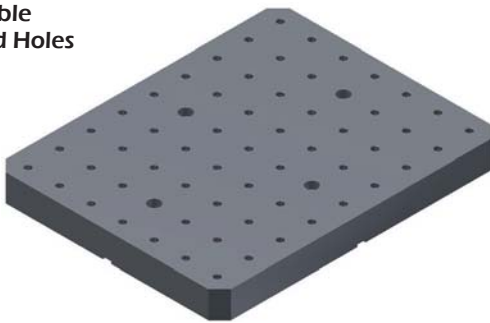
Designs:

- With T-Slots DIN 650 and Tapped Holes
- With Tapped Holes
- With T-Slots DIN 650

Machine Table with T-Slots and Tapped Holes



Machine Table with Tapped Holes

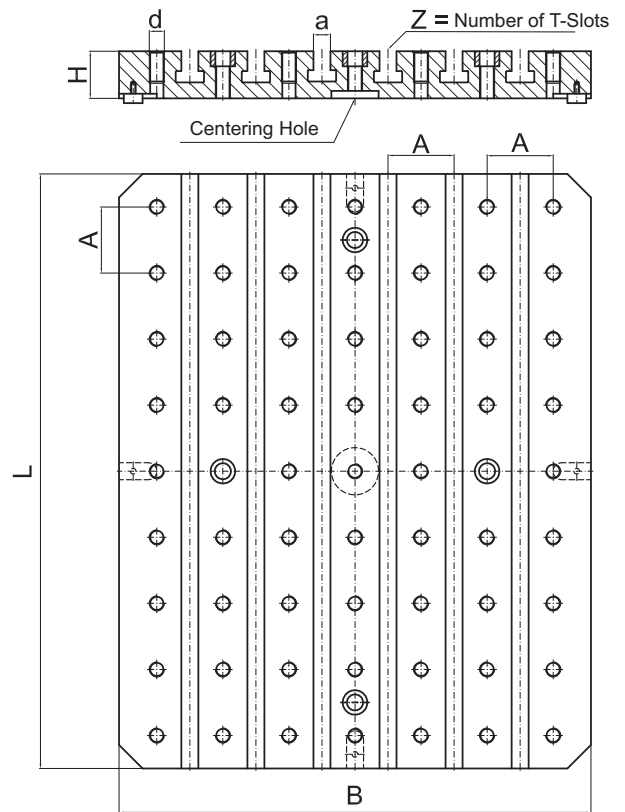


Machine Table with T-Slots



All Machine Tables come with:

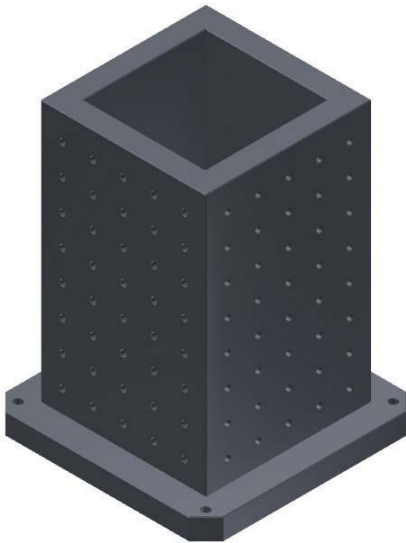
- Centering Hole
- Centered T-Slot
- Mounting Tapped Holes



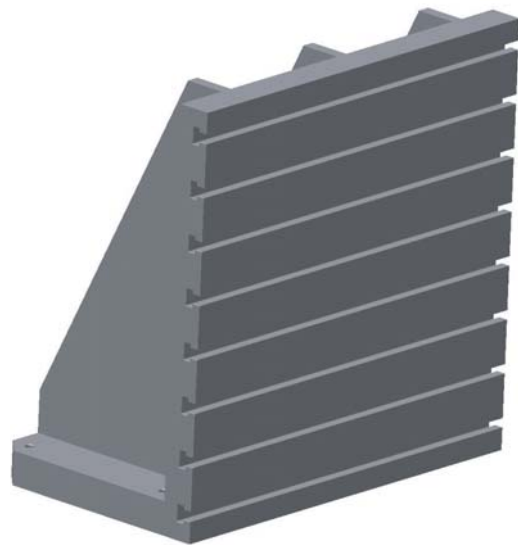
			Steel	Cast Iron	Aluminium					
Size	d	a	Part No.	Part No.	Part No.	B	L	H	A	Z
250-250	M12	14	850-250-250-1214	851-250-250-1214	852-250-250-1214	250	250	40	50	4
250-320	M12	14	850-250-320-1214	851-250-320-1214	852-250-320-1214		320			
320-320	M12	14	850-320-320-1214	851-320-320-1214	852-320-320-1214	320				
	M16	18	850-320-320-1618	851-320-320-1618	852-320-320-1618				50	70
320-400	M12	14	850-320-400-1214	851-320-400-1214	852-320-400-1214		400	40	50	
	M16	18	850-320-400-1618	851-320-400-1618	852-320-400-1618				50	70
400-400	M12	14	850-400-400-1214	851-400-400-1214	852-400-400-1214	400		40	50	6
	M16	18	850-400-400-1618	851-400-400-1618	852-400-400-1618				50	70
400-500	M12	14	850-400-500-1214	851-400-500-1214	852-400-500-1214		500		50	
	M16	18	850-400-500-1618	851-400-500-1618	852-400-500-1618				70	
500-500	M12	14	850-500-500-1214	851-500-500-1214	852-500-500-1214	500				
	M16	18	850-500-500-1618	851-500-500-1618	852-500-500-1618					
500-630	M12	14	850-500-630-1214	851-500-630-1214	852-500-630-1214		630			
	M16	18	850-500-630-1618	851-500-630-1618	852-500-630-1618				60	
630-630	M12	14	850-630-630-1214	851-630-630-1214	852-630-630-1214	630				8
	M16	18	850-630-630-1618	851-630-630-1618	852-630-630-1618					



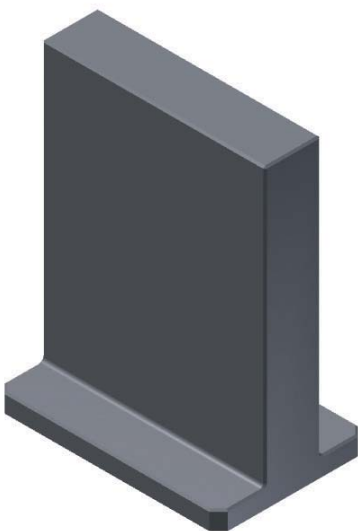
We manufacture custom made square, angled or plain tombstones with T-Slots DIN 650, Tapped Holes or a combination of both as well as chain clamps.



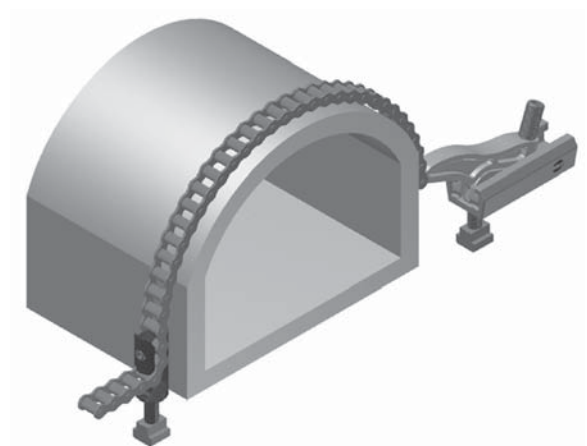
Square Tombstone



Angled Tombstone



Plain Tombstone



Chain Clamp

